

# PowerCan Pro

Capasitor Bank

**50** kVAr  
415V



## Electrical Spesification:

Parameter	Value
Rate Power (Q)	50 kVAr
Rate Voltage (Un)	415 V AC
Frequency (fn)	50/60 Hz
Capacitance Tolerance	±5%
Dielectric Type	Metalized Polypropylene Film (Dry Type, Non-PCB)
Value Capacitance	924,6 uF ±5%
Max Over Voltage	1.1 × Un (continuous)
Max Over Current	1.3 × In
Loss Factor (tan δ)	≤ 0.5 W/kVAr
Insulation Resistance	> 3000 MΩ (between terminals and case)

## Environmental & Operating Conditions



Parameter	Value
Ambient Temperature Range	-25 °C to +55 °C
Max Altitude	2000 m above sea level
Humidity	≤ 95% RH (non-condensing)
Cooling / Ventilation	Natural air circulation (ensure free air flow around unit)

## Construction Features

Specification	Description
Container	Aluminum cylindrical can
Filling Medium	Dry, inert gas-filled (non-liquid)
Mounting Type	Vertical or Horizontal
Terminals	Quick-connect or screw type (3-phase connection)
Safety Features	Internal overpressure disconnecter
Protection Category	Ip20 (when installed in panel)

## Standards & Compliance



- IEC 60831-1 (2003) Low-voltage shunt capacitors
- CE marked
- RoHS compliant
- Free from PCB and other hazardous substances

## Dimensions

Parameter

Value

Diameter

~126 mm

Height (including terminals)

~280 mm

Weight

~2.8 kg

## Application

- Power factor correction panels
- Automatic capacitor banks
- Harmonic-free or lightly distorted networks

## Capacitor Value



Un (V)	fn (Hz)	Qn (kVAR)	In (A)
415 V	50	50	69.6
	60	60	83.6
400 V	50	46.5	67.0
	60	55.7	80.5

## Construction Features

Specification	Description
Container	Aluminum cylindrical can
Filling Medium	Dry, inert gas-filled (non-liquid)
Mounting Type	Vertical or Horizontal
Terminals	Quick-connect or screw type (3-phase connection)
Safety Features	Internal overpressure disconnecter
Protection Category	Ip20 (when installed in panel)

# Physical Image



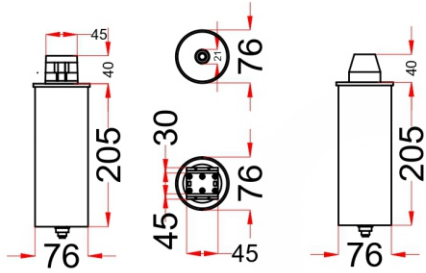
Terminal Capacitor

Mounting

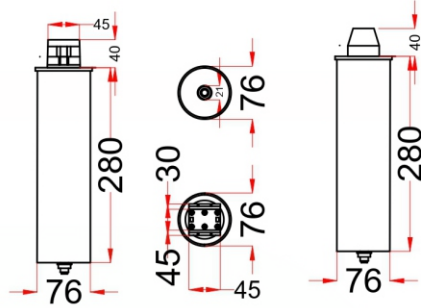
Capacitor Unit

# All Dimensions PowerCan Pro

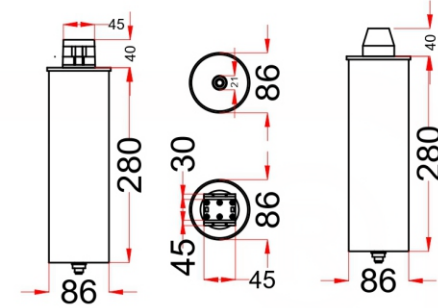
Powercan Pro 415-10-3 (10kvar) (76x205)



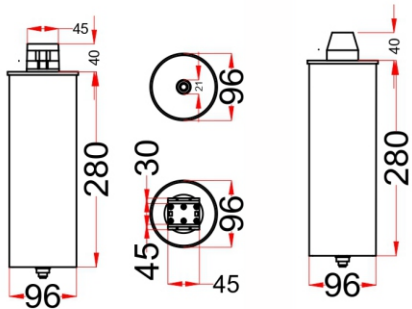
Powercan Pro 415-15-3 (15kvar) (76x280)



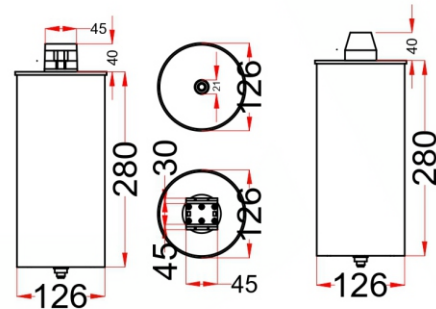
Powercan Pro 415-20-3 (20kvar) (86x280)



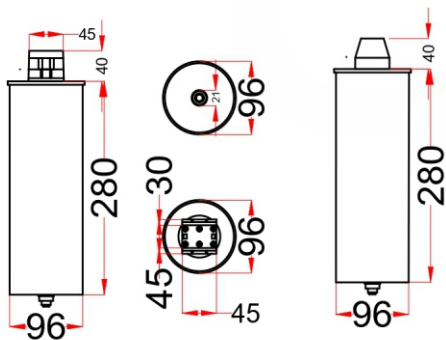
Powercan Pro 415-25-3 (25kvar) (96x280)



Powercan Pro 415-50-3 (50kvar) (126x280)



Powercan Pro 525-25-3 (25kvar) (96x280)



Powercan Pro 415-50-3 (50kvar) (126x280)

