

PowerCan Pro

Capasitor Bank

25 kVAr
415V



HEAVY DUTY CAPASITOR

Protected Over Pressure Disconnecter & 10K AFC Non PCB

Electrical Spesification:

Parameter	Value
Rate Power (Q)	25 kVAr
Rate Voltage (Un)	415 V AC
Frequency (fn)	50/60 Hz
Capacitance Tolerance	±5%
Dielectric Type	Metalized Polypropylene Film (Dry Type, Non-PCB)
Value Capacitance	462,3 uF ±5%
Max Over Voltage	1.1 × Un (continuous)
Max Over Current	1.3 × In
Loss Factor (tan δ)	≤ 0.5 W/kVAr
Insulation Resistance	> 3000 MΩ (between terminals and case)

Environmental & Operating Conditions



Parameter	Value
Ambient Temperature Range	-25 °C to +55 °C
Max Altitude	2000 m above sea level
Humidity	≤ 95% RH (non-condensing)
Cooling / Ventilation	Natural air circulation (ensure free air flow around unit)

Construction Features

Specification	Description
Container	Aluminum cylindrical can
Filling Medium	Dry, inert gas-filled (non-liquid)
Mounting Type	Vertical or Horizontal
Terminals	Quick-connect or screw type (3-phase connection)
Safety Features	Internal overpressure disconnecter
Protection Category	Ip20 (when installed in panel)

Standards & Compliance



- IEC 60831-1 (2003) Low-voltage shunt capacitors
- CE marked
- RoHS compliant
- Free from PCB and other hazardous substances

Dimensions

Parameter

Value

Diameter

~96 mm

Height (including terminals)

~280 mm

Weight

~2.8 kg

Application

- Power factor correction panels
- Automatic capacitor banks
- Harmonic-free or lightly distorted networks

Capacitor Value



Un (V)	fn (Hz)	Qn (kVAR)	In (A)
415 V	50	25	34.8
	60	30	41.8
400 V	50	23.2	33.5
	60	27.9	40.2

Construction Features

Specification	Description
Container	Aluminum cylindrical can
Filling Medium	Dry, inert gas-filled (non-liquid)
Mounting Type	Vertical or Horizontal
Terminals	Quick-connect or screw type (3-phase connection)
Safety Features	Internal overpressure disconnecter
Protection Category	Ip20 (when installed in panel)

Physical Image



Terminal Capacitor

Mounting

Capacitor Unit

EV[®] 25kVAr
415V
PowerCan Pro

DVCANPRO-415-25-3

Un	fn	Qn	In
V	Hz	kVAr	A
415	50	25	34.8
	60	30	41.8
400	50	23.2	32.5
	60	27.9	40.2

C_n = 482.3 μF ± 5%

US IP20
Protected 10k AFC Non PCB
Overpressure Disconnect
IEC 60831-1 (2003)

Mounting
Vertical ✓
Horizontal ✓

WARNING / AVERTISSEMENT
ADVERTENCIA

HAZARD OF ELECTRICAL SHOCK
Wait 3 minutes after isolating supply
before handling
Failure to follow these instructions can
result in death, serious injury or
equipment damage

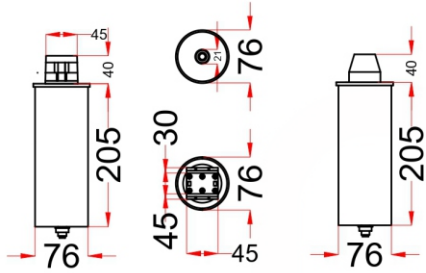
Ventilation
Ensure airflow from
bottom to top

Heavy Duty Capacitor

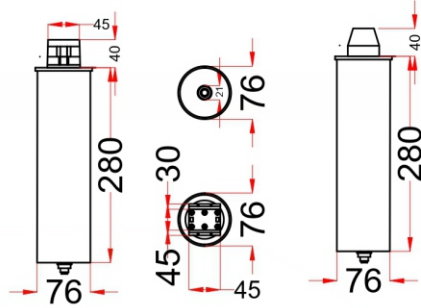
All Dimensions PowerCan Pro



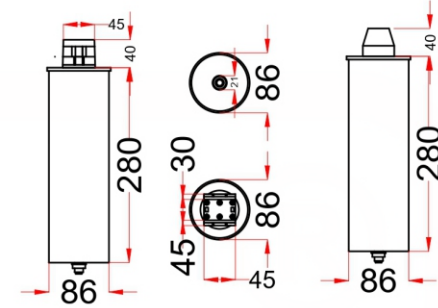
Powercan Pro 415-10-3 (10kvar) (76x205)



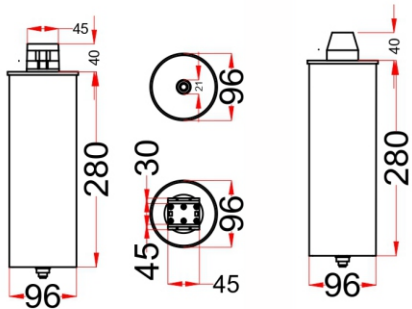
Powercan Pro 415-15-3 (15kvar) (76x280)



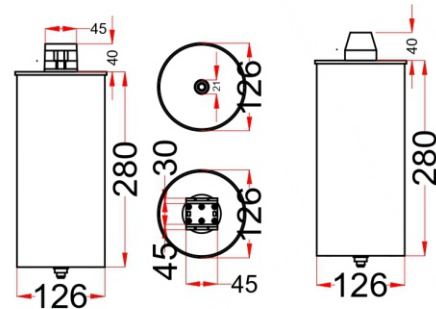
Powercan Pro 415-20-3 (20kvar) (86x280)



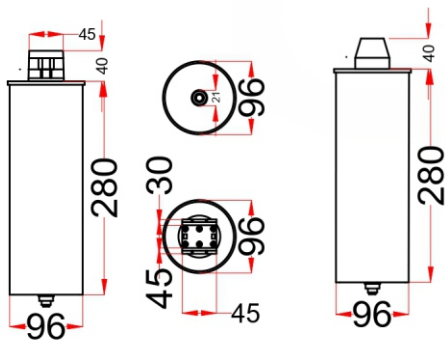
Powercan Pro 415-25-3 (25kvar) (96x280)



Powercan Pro 415-50-3 (50kvar) (126x280)



Powercan Pro 525-25-3 (25kvar) (96x280)



Powercan Pro 415-50-3 (50kvar) (126x280)

