

# PowerCan Pro

Capasitor Bank



**15** kVAr  
415V



## HEAVY DUTY CAPASITOR

Protected Over Pressure Disconnecter & 10K AFC Non PCB

### Electrical Specification:

Parameter	Value
Rate Power (Q)	15 kVAr
Rate Voltage (Un)	415 V AC
Frequency (fn)	50/60 Hz
Capacitance Tolerance	±5%
Dielectric Type	Metalized Polypropylene Film (Dry Type, Non-PCB)
Value Capacitance	277.4 uF ±5%
Max Over Voltage	1.1 × Un (continuous)
Max Over Current	1.3 × In
Loss Factor (tan δ)	≤ 0.5 W/kVAr
Insulation Resistance	> 3000 MΩ (between terminals and case)

## Environmental & Operating Conditions



Parameter	Value
Ambient Temperature Range	-25 °C to +55 °C
Max Altitude	2000 m above sea level
Humidity	≤ 95% RH (non-condensing)
Cooling / Ventilation	Natural air circulation (ensure free air flow around unit)

## Construction Features

Specification	Description
Container	Aluminum cylindrical can
Filling Medium	Dry, inert gas-filled (non-liquid)
Mounting Type	Vertical or Horizontal
Terminals	Quick-connect or screw type (3-phase connection)
Safety Features	Internal overpressure disconnecter
Protection Category	Ip20 (when installed in panel)

## Standards & Compliance



- IEC 60831-1 (2003) Low-voltage shunt capacitors
- CE marked
- RoHS compliant
- Free from PCB and other hazardous substances

## Dimensions

Parameter	Value
Diameter	~76 mm
Height (including terminals)	~280 mm
Weight	~2.8 kg

## Application

- Power factor correction panels
- Automatic capacitor banks
- Harmonic-free or lightly distorted networks

## Capacitor Value



Un (V)	fn (Hz)	Qn (kVAR)	In (A)
415 V	50	20	27.9
	60	24	33.4
400 V	50	18.6	26.2
	60	22.3	32.2

## Construction Features

Specification	Description
Container	Aluminum cylindrical can
Filling Medium	Dry, inert gas-filled (non-liquid)
Mounting Type	Vertical or Horizontal
Terminals	Quick-connect or screw type (3-phase connection)
Safety Features	Internal overpressure disconnecter
Protection Category	Ip20 (when installed in panel)

# Physical Image



Terminal Capacitor

Capacitor Unit

Mounting

**EV** 20kVAr  
415V  
**PowerCan Pro**

DVCAN PRO 15-20-3

Un	Un	Qn	In
V	Hz	kVA	A
415	50	20	27.9
	60	24	33.4
400	50	18.6	26.8
	60	22.3	32.2

C<sub>n</sub> = 349.8 μF ± 5%  
US IP20  
Protected 10k AFC Non PCB  
Overpressure Disconnect  
IEC 60831-1 (2003)

**Mounting**

Vertical ✓  
Horizontal ✓

**WARNING / AVERTISSEMENT / ADVERTENCIA**  
HAZARD OF ELECTRICAL SHOCK  
Wait 5 minutes after isolating supply before handling.  
Failure to follow these instructions can result in death, serious injury or equipment damage.

**Ventilation**

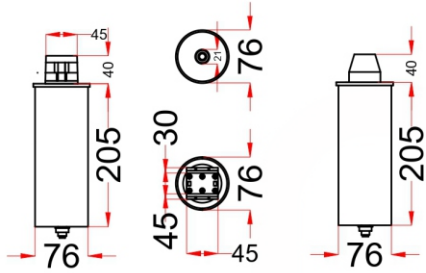
Ensure airflow from bottom to top

Heavy Duty Capacitor

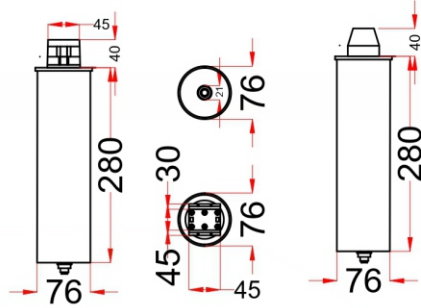
# All Dimensions PowerCan Pro



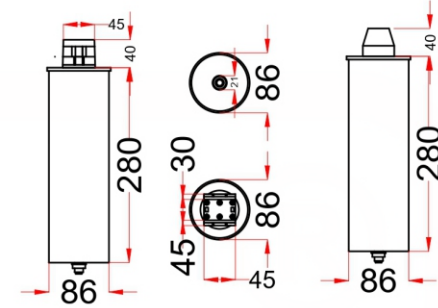
Powercan Pro 415-10-3 (10kvar) (76x205)



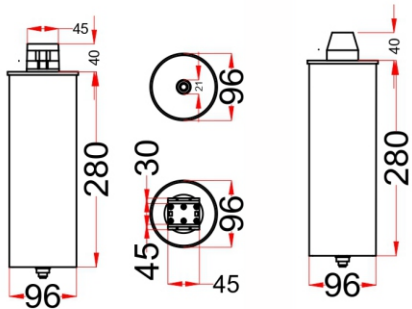
Powercan Pro 415-15-3 (15kvar) (76x280)



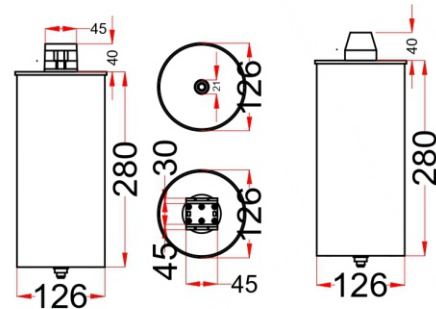
Powercan Pro 415-20-3 (20kvar) (86x280)



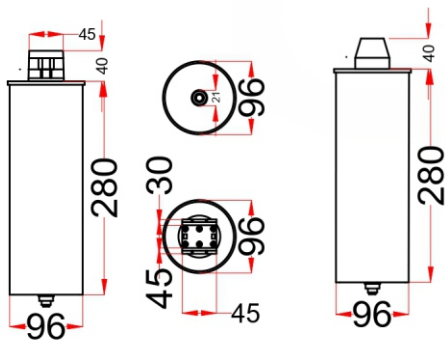
Powercan Pro 415-25-3 (25kvar) (96x280)



Powercan Pro 415-50-3 (50kvar) (126x280)



Powercan Pro 525-25-3 (25kvar) (96x280)



Powercan Pro 415-50-3 (50kvar) (126x280)

